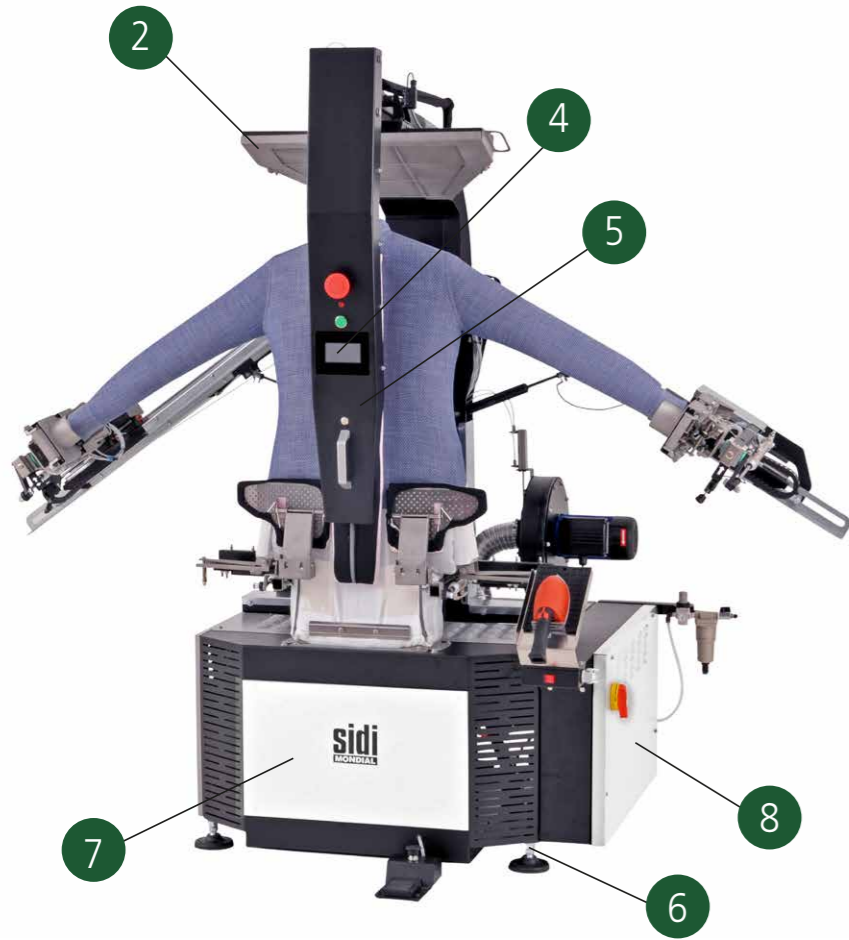


LEO

SHIRT FINISHER



Tensioning Blowing shirt finisher

- Solid and compact structure with integrated blowing and vacuum motor in the machine's frame

- Silicon padded counter paddle to avoid shines on dark fabrics and marks on the buttons

- Height adjustable with positioning of the neck holder from a minimum of 157 cm to a maximum of 168 cm (62" - 66")

- Lateral flexible expanders

- Short sleeve device as standard

- Easy-to-dress dummy for a fast positioning of the shirt

- Rounded and rotating cuff clamps with manual height adjustment

- Available in a **total electric version**

TECHNICAL DATA

	PEGASUS PRO	
Required power	400V/3 + N/50Hz (AUX 24 VDC)	230V/3/60Hz (AUX 24 VDC)
Fan motor	1,5 kW	3,0 hp
Vacuum motor	0,4 kW	0,5 hp
Power absorption	1,5 kW	2,0 hp
Electric current absorption	4,0 amp	8,0 amp
Air inlet	1/2"	1/2"
Air working pressure	5,5 bar (0,6 Mpa)	80 psi
Compressed air	57 NI/cycle	2,0 ft3/cycle
Steam inlet	1/2"	1/2"
Steam working pressure	5,0±7,0 bar (0,5±0,7 Mpa)	72±100 psi
Steam consumption	24 ÷ 27 kg/h	53 ÷ 60 lbs/h
Return outlet	2 x 1/2"	2 x 1/2"
Package dimensions (LxWxH)	205 x 126 x 198 cm	81 x 50 x 78 in
Net weight	675 Kg	1488 lbs
Gross weight - indupack	775 Kg	1710 lbs
Package volume	5,1 m3	180 ft3
Max volume in function (LxW)	226 x 127 cm	89 x 50 in

*Other voltages by request.

	VEGA	
Required power	400V/3 + N/50Hz (AUX 24 VDC)	230V/3/60Hz (AUX 24 VDC)
Fan motor	1,5 kW	3,0 hp
Vacuum motor	0,4 kW	0,5 hp
Rotation motor	0,3 kW	0,2 hp
Power absorption	1,9 kW	2,5 hp
Electric current absorption	6,0 amp	10 amp
Air inlet	1/2"	1/2"
Air working pressure	7,0 bar (0,7 Mpa)	100 psi
Compressed air	125 NI/cycle	4,4 ft3/cycle
Steam inlet	1/2"	1/2"
Steam working pressure	5,0±7,0 bar (0,5±0,7 Mpa)	72±100psi
Steam consumption	55 kg/h	121 lbs/h
Return outlet	2 x 1/2"	2 x 1/2"
Package dimensions (LxWxH)	228 x 162 x 210 cm	90 x 64 x 83 in
Net weight	1.163 Kg	2.564 lbs
Gross weight - indupack	1.293 Kg	2.851 lbs
Package volume	7,8 m3	275 ft3
Max volume in function (LxW)	231 x 231 cm	91 x 91 in

*Other voltages by request.

	MAGIC PRO - STEAM		MAGIC PRO - ELECTRIC	
Required power	400V/3 + N/50Hz (AUX 24 VDC)	230V/3/60Hz (AUX 24 VDC)	400V/3 + N/50Hz (AUX 24 VDC)	230V/3/60Hz (AUX 24 VDC)
Fan motor	1,5 kW	3,0 hp	1,5 kW	3,0 hp
Vacuum motor	0,4 kW	0,5 hp	0,4 kW	0,5 hp
Power absorption	1,5 kW	3,0 hp	25 kW	33 hp
Power absorption - Economy	--	--	18 Kw	24 hp
Electric current absorption	4,0 amp	10 amp	40 amp	63 amp
Air inlet	1/4"	1/4"	1/4"	1/4"
Air working pressure	7,0 bar (0,7 Mpa)	100 psi	7,0 bar (0,7 Mpa)	100 psi
Compressed air	40NI/cycle	1,4 ft3/cycle	40NI/cycle	1,4 ft3/cycle
Steam inlet	1/2"	1/2"	--	--
Steam working pressure	5,0±7,0 bar (0,5±0,7 Mpa)	72 ÷ 100 psi	--	--
Steam consumption	25 ÷ 35 kg/h	55 ÷ 77 lbs/h	--	--
Return outlet	1/2"	1/2"	--	--
Package dimensions (LxWxH)	205 x 126 x 198 cm	81 x 50 x 78 in	205 x 126 x 198 cm	81 x 50 x 78 in
Net weight	440 Kg	970 lbs	440 Kg	970 lbs
Gross weight - indupack	475 Kg	1050 lbs	475 Kg	1050 lbs
Package volume	5,1 m3	180 ft3	5,1 m3	180 ft3
Max volume in function (LxW)	215 x 116 cm	85 x 46 in	215 x 116 cm	85 x 46 in

*Other voltages by request.

	LEO - STEAM		LEO - ELECTRIC	
Required power	400V/3 + N/50Hz (AUX 24 VDC)	230V/3/60Hz (AUX 24 VDC)	400V/3 + N/50Hz (AUX 24 VDC)	230V/3/60Hz (AUX 24 VDC)
Fan motor	1,5 kW	3,0 hp	1,5 kW	3,0 hp
Vacuum motor	0,3 kW	0,4 hp	0,3 kW	0,4 hp
Power absorption	1,5 kW	3,0 hp	17 kW	23 hp
Power absorption - Economy	--	--	10 kW	14 hp
Electric current absorption	4,0 amp	10 amp	32 amp	53 amp
Air inlet	1/4"	1/4"	1/4"	1/4"
Air working pressure	7,0 bar (0,7 Mpa)	100 psi	7,0 bar (0,7 Mpa)	100 psi
Compressed air	15 NI/cycle	0,6 ft3/cycle	15 NI/cycle	0,6 ft3/cycle
Steam inlet	1/2"	1/2"	--	--
Steam working pressure	5,0±7,0 bar (0,5±0,7 Mpa)	72 ÷ 100psi	--	--
Steam consumption	15 ÷ 20 kg/h	33 ÷ 44 lbs/h	--	--
Return outlet	1/2"	1/2"	--	--
Package dimensions (LxWxH)	230 x 126 x 198 cm	90 x 50 x 78 in	230 x 126 x 198 cm	90 x 50 x 78 in
Net weight	350 Kg	770 lbs	350 Kg	770 lbs
Gross weight - indupack	400 Kg	880 lbs	400 Kg	880 lbs
Package volume	5,7 m3	203 ft3	5,7 m3	203 ft3
Max volume in function (LxW)	240 x 127 cm	95 x 50 in	240 x 127 cm	95 x 50 in

*Other voltages by request.

sidi
MONDIAL
SIDIMONDIAL.COM

THE BEST TECHNOLOGY FOR YOUR SHIRTS

High productivity and high performances

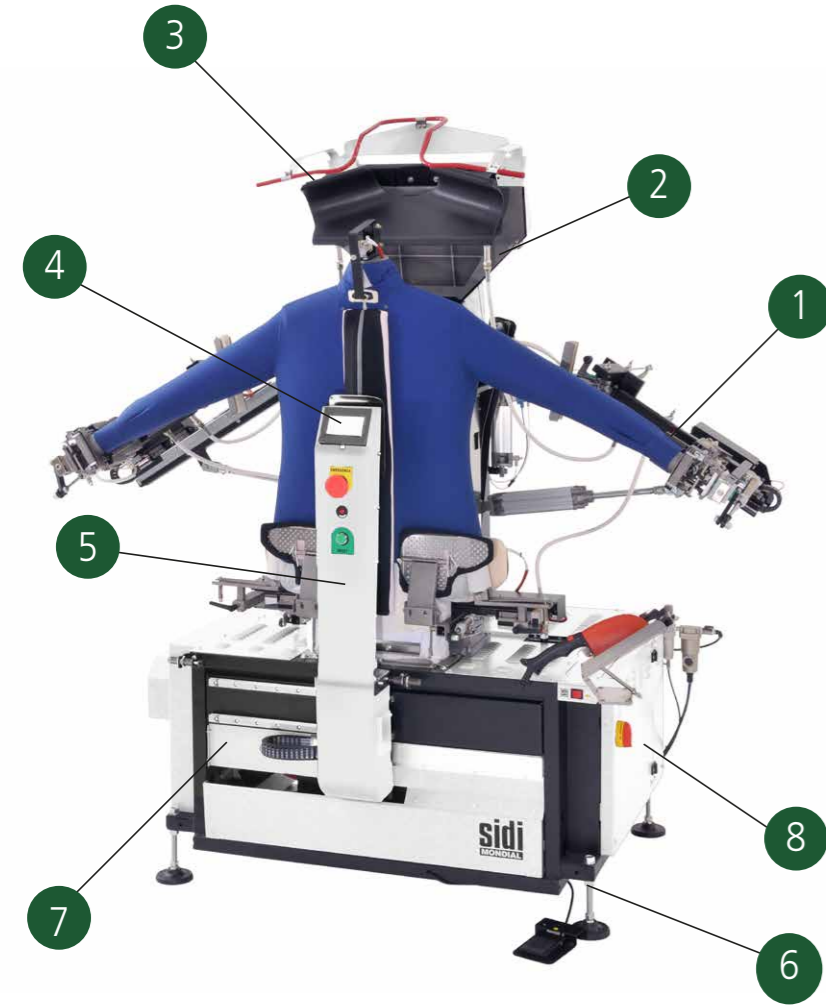
02/2020

sidi
MONDIAL

SIDI MONDIAL SRL
Via G. Di Vittorio 6 | 20065 INZAGO (MI) | Italy | tel. +390295383901 | fax. +390295383903
infosidi@sidimondial.com | www.sidimondial.com

MAGIC PRO

SHIRT FINISHER

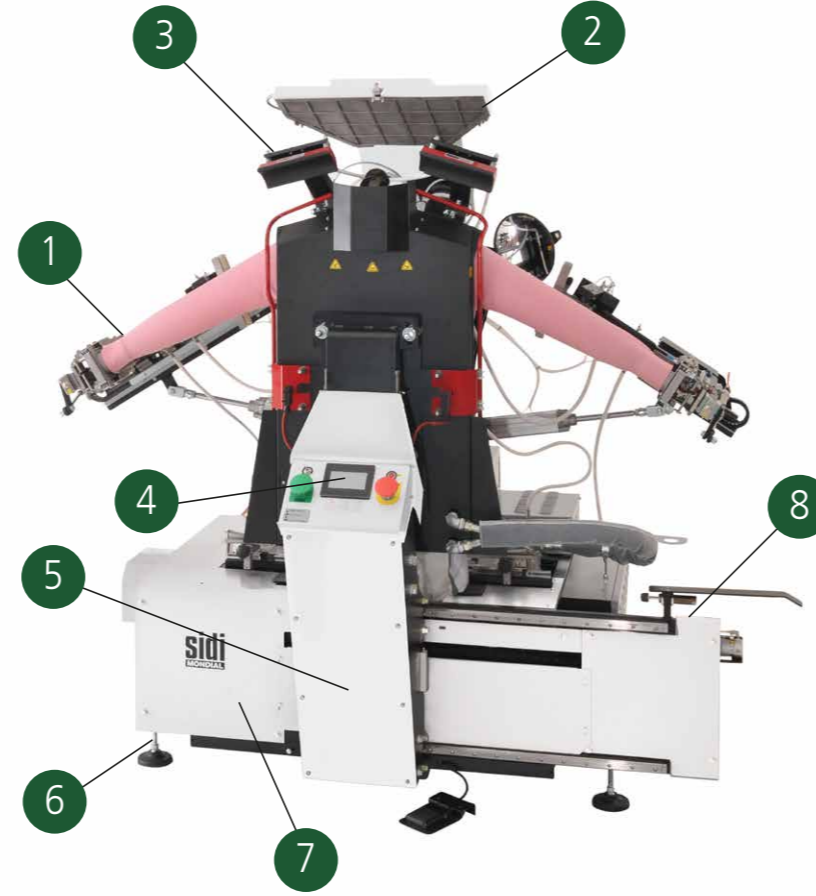


Tensioning Blowing shirt finisher

- Solid and compact structure with integrated blowing and vacuum motor in the machine's frame
- Silicon padded counter paddle to avoid shines on dark fabrics and marks on the buttons
- Height adjustable with positioning of the neck holder from a minimum of 158 cm to a maximum of 165 cm (62" : 65")
- Lateral flexible expanders with anti-stretching functions
- Easy-to-dress dummy for a fast positioning of the shirt
- Specific version for white coats and shirts
- Available in a **total electric version**

PEGASUS PRO

SHIRT PRESS

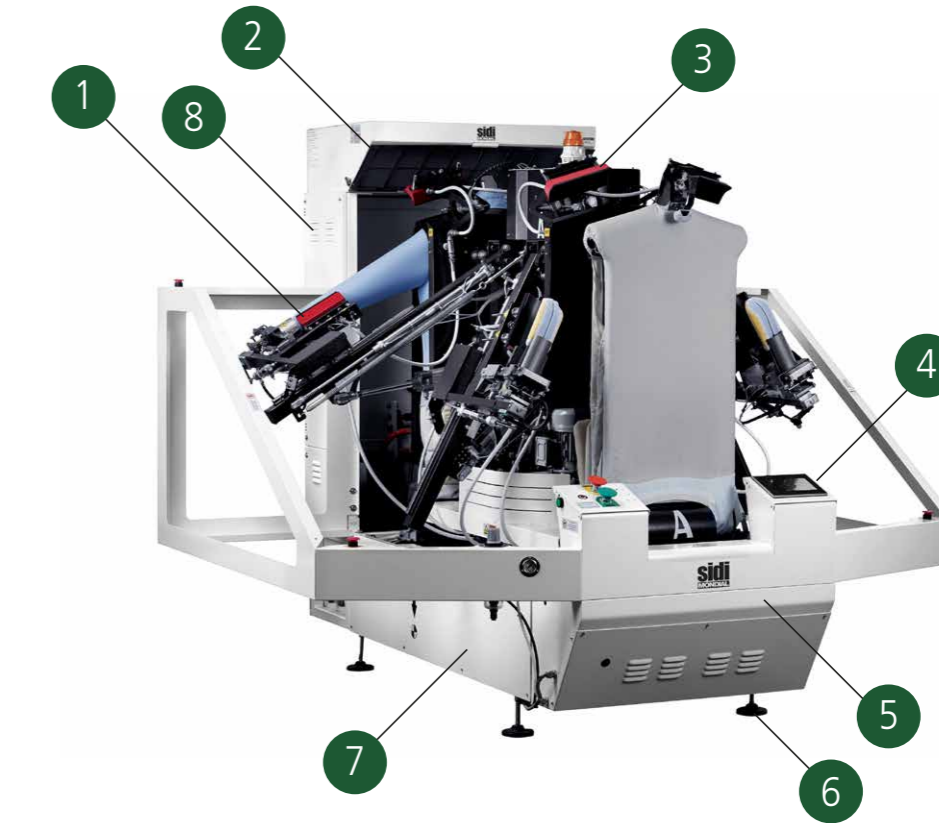


Single Buck Pressing shirt finisher

- Solid and compact structure with integrated blowing and vacuum motor in the machine's frame
- Teflon front and back pressing bucks to avoid shines on dark fabrics
- Height adjustable with positioning of the neck holder from a minimum of 148 cm to a maximum of 155 cm (58" : 61")

VEGA

ROTARY SHIRT PRESS



Double Buck Pressing shirt finisher

- Solid and compact structure with integrated blowing and vacuum motor in the machine's frame
- Teflon front and 2 back pressing bucks to avoid shines on dark fabrics
- Height adjustable with positioning of the neck holder from a minimum of 157 cm to a maximum of 164 cm (62" : 65")
- High productivity with lower effort for the operator

Available extras:

- Short sleeve device (only for Magic Pro / Pegasus Pro)
- Small sized dummy (only for Pegasus Pro / Vega)
- Standard sized dummy (only for Magic Pro / Leo)
- Mirror (only for Magic Pro / Pegasus Pro / Vega)
- Electric iron for touch-ups (only for Magic Pro / Leo)

MAGIC PRO, PEGASUS PRO E VEGA.

Common features:

- 1 Special rounded and rotating clamps with pneumatic height adjustment and special Teflon plackets heads for the excellent finish of the shirt's plackets. The sleeve arms resemble a reversed V thus ensuring a greater stability and allowing pneumatic stretching movements for a perfectly stretched sleeve.
- 2 System for the recapture of hot air from the upper part of the dummy, thus allowing a consistent reduction of drying times and energy consumptions.

- 3 Teflon shoulder press device for the superb finish of yoke and shoulders and leave no shines on dark fabrics.
- 4 Color touch screen for the total control of the machine and the management of productivity, diagnostics and maintenance, even from a remote location (Ethernet port).
- 5 Reduced overall size for an easy installation even in small places. It can easily pass through a standard door (90cm / 36 inches).

- 6 Adjustable machine's height enabling ergonomic posture to every operator, regardless of his/her height.
- 7 Integrated steam circuit to improve energy efficiency reducing condensate and heat dispersions.
- 8 Easy access to the electrical and pneumatic panel for a smoother technical action.