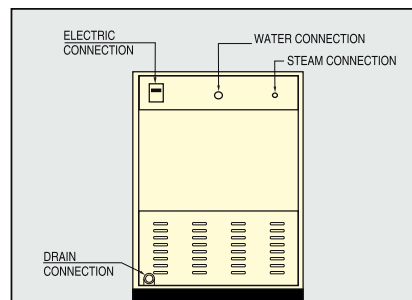
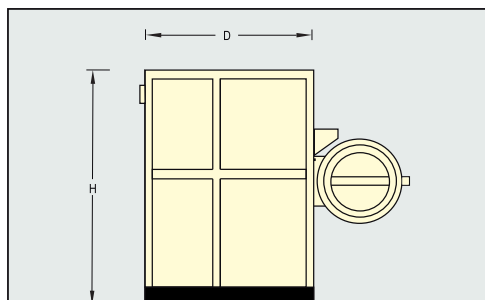
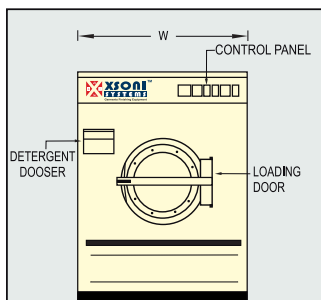




Industrial Washing & Processing Machine (Front Loading)

- i** **XSONI Systems** 'Washing Machine' are designed for all types of Laundry Jobs, Technical and Enzyme Washing. Different machines in different sizes for different fabrics such as Denim, Cotton, Rayon, Knitted, Woollen Garments.
- ⌚** Automatic, Auto-Timed, Auto-Reverse, Auto-Digital Temperature Control, Heavy Stainless Steel Fabrication in Front Plate, Inner Basket & Outer Drum.
- ⚠** Heating System available in Electric/Steam Direct Injection/Indirect Steam through Seamless Pipe of SS 316 Quality Coils/Thermic Heat Transfer Fluids, Oil/Gas fired heated. Available in 15, 30, 60 & 100 kg dry weight per charge capacity.
- 🔧** Machine also available with Microprocessor based Programmable Logic Controller and AC Drives for variable speeds, storage of present programmed facility and possibility of supervisory control.



MODEL	CAPACITY DRY WT. IN KG.	BASKET SIZE VOLOME	WASH MOTOR	MAIN DOOR OPENING	WATER CONNECTION CONSUMPTION APPX.	DRAIN	HEATING OPTIONS			OVERALL DIMENSIONS (W X D X H)	NET WT. / SHIPPING WT. SHIPPING SIZE (WxDxH) SHIPPING VOLUME
							STEAM CONSUMPTION	ELECTRIC LOAD	THERMAL FLUID CONSUMPTION		
NXS 15 NXE 15	15 KG 15 KG	750 X 400 180 LTRS.	1 HP	460	1.0" BSP **60 LTRS./FILL	2"	0.5" BSP 15 KG/HR.	6 KW	-----	980 X 1210 X 1525	500 KG / 650 KG 1180 X 1410 X 1725 2.76M ³
NXS 30 NXE 30	30 KG 30 KG	950 X 500 362 LTRS.	2 HP	500	1.0" BSP **125 LTRS./FILL	2"	0.5" BSP 25 KG/HR.	12 KW	1"x1" BSP 10000 Kcal/HR.	1150 X 1420 X 1780	840 KG / 1050 KG 1350 X 1620 X 1980 4.92M ³
NXS 60 NXE 60	60 KG 60 KG	1100 X 750 735 LTRS.	3 HP	500	1.0" BSP **250 LTRS./FILL	2"	0.5" BSP 50 KG/HR.	24 KW	1"x1" BSP 20000 Kcal/HR.	1300 X 1720 X 1970	100 KG / 1350 KG 1500 X 1920 X 2170 6.90M ³
NXS 100	100 KG.	1250 X 1000 1437 LTRS.	5 HP	600	2.0" BSP **500 LTRS./FILL	2" X 2"	1.0" BSP 100 KG/HR.	N.A.	1"x1" BSP 40000 Kcal/HR.	1530 X 2000 X 2200	1750 KG / 2050 KG 1730 X 2200 X 2400 10.6M ³

Note: a) All Dimensions are in MM. Standard Machines Operate on 415 ±10%, 3 Phase, 50HZ, CYS AC Electric Supply, Special Voltage on request.
 b) Machines are also made to order as per customer's requirement & specifications.

NXS: Steam | **NXE:** Electric